

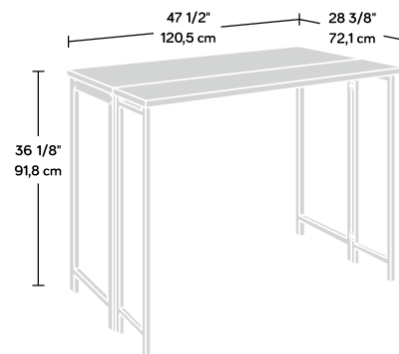
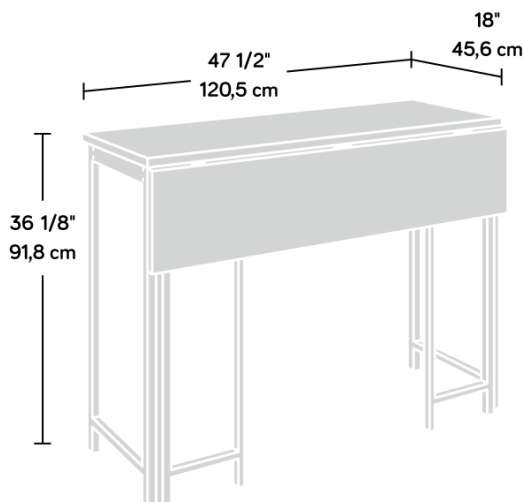
INDUSTRIAL STYLE HIGH WORK TABLE WITH FLIP EXTENSION

PRODUCT SHEET FURNITURE

- Industrial Style High Work Table
 - Charter Oak finish
- Flip-up table top extension provides additional working space
 - Slide-out supports
 - Sharp, minimalist design
- Durable black metal frame
- 360° all round finish, (can be freestanding)



Width	120.5 cm
Depth	72.1 cm
Height	91.8cm
Carton Height	13.5 cm
Carton Width	137 cm
Carton Depth	83 cm
Box Volume	0.153 cbm
Weight (gross)	22.4 kg



N.B: All measurements are approximate